

TOOL-FREE
MOUNTING &
REDUCED
SERVICE TIMES



Service friendly solenoid valve series for equipment manufacturing

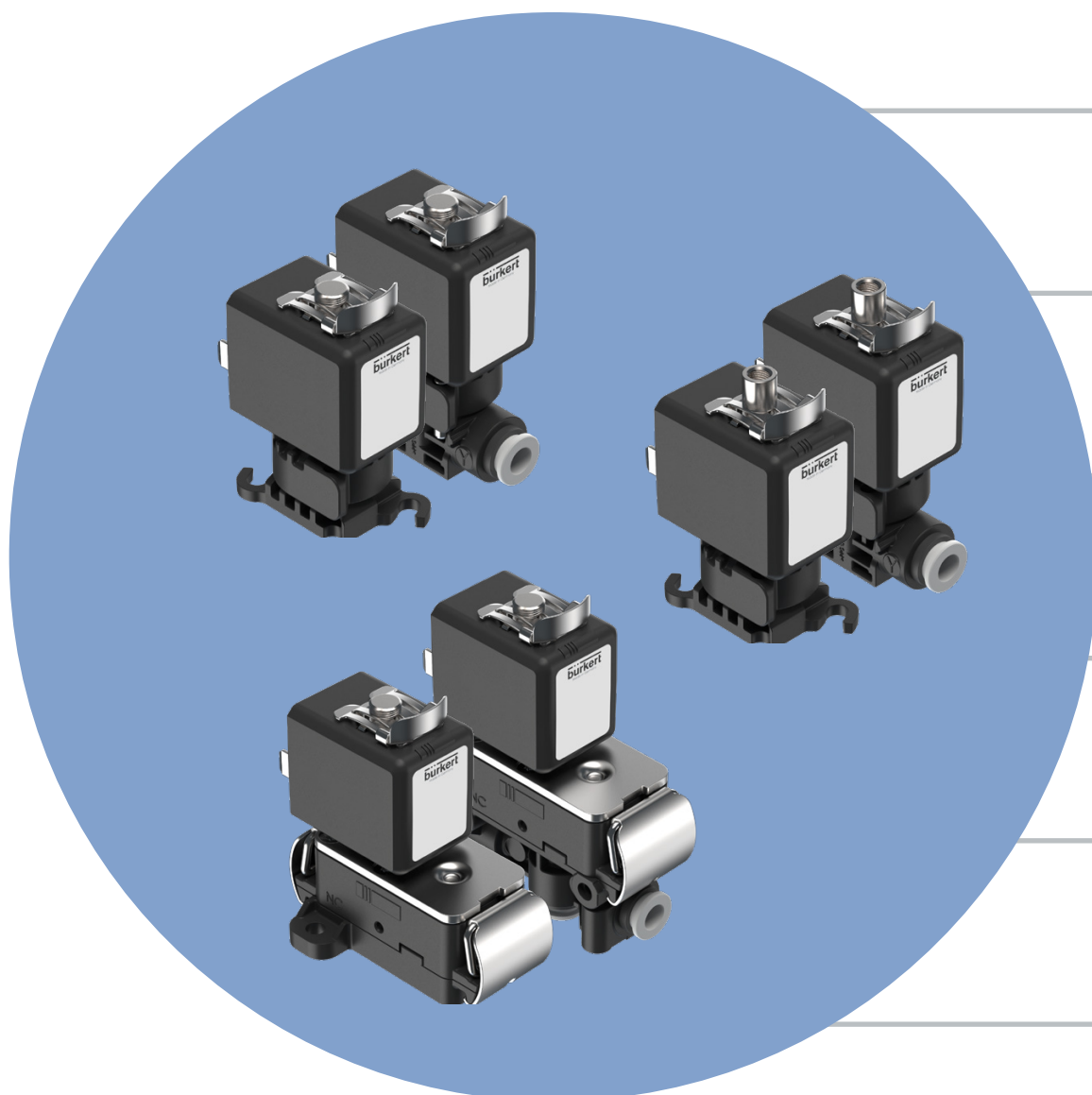
TYPES 7015, 7016 AND 7017

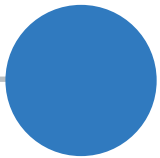
We make ideas flow.

burkert
FLUID CONTROL SYSTEMS

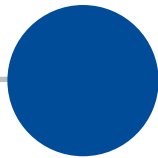
Shorten the service times in your applications

A sophisticated service concept adapted to the time and wear of the components ensures the availability of equipment and machines. To ensure that service can be carried out safely even in countries with different levels of training, maintenance must be safe, simple and tool-free.

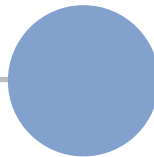




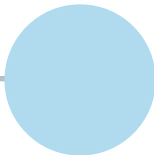
FULLY AUTOMATIC COFFEE MACHINES



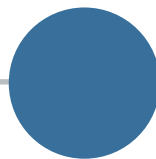
**WATER/ /BEVERAGE DISPENSER
(INCL. DOSING OF FLAVOUR AND
SYRUP)**



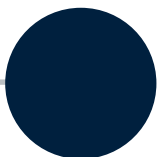
STERILISATION



ENDOSCOPE CLEANING



IN-VITRO-DIAGNOSTICS (IVD)



DIALYSIS

The compact solenoid valve series



Type 7015 2/2 way

Plunger valve for liquids and gases – non media separated



Type 7016 3/2 way

Plunger valve for liquids and gases – non media separated



Type 7017 3/2 way

Rocker valve – media separated

OPTIMUM INSTALLATION AND RELAXED SERVICE

Right from the start, the life cycle and service level of the valve were the focus of the new development. In this way, experience from assembly, operation and service of the machine manufacturers could be incorporated into the development of the new solenoid valves. In addition to the technical data, the greatest attention was therefore paid to optimal assembly and safe maintenance during operation. The new valve series is characterised by its trend-setting service concept.



Smaller & more compact machines

Drill holes, clips and mounting brackets with snap-in function support compact assembly and guarantee access for service personnel.



Minimise service times

The fluid housing of the diaphragm valve can be easily opened by means of a quick-release fastener. The diaphragm can thus be inspected or replaced. The well-known ski-shoe technique enables the fluidics to be closed securely after servicing.



Cost-saving service

Maintenance must be carried out safely, easily and without tools. Wear parts which can be quickly replaced, such as armatures or diaphragms in the valves, reduce service time and machine downtime and secure sales.



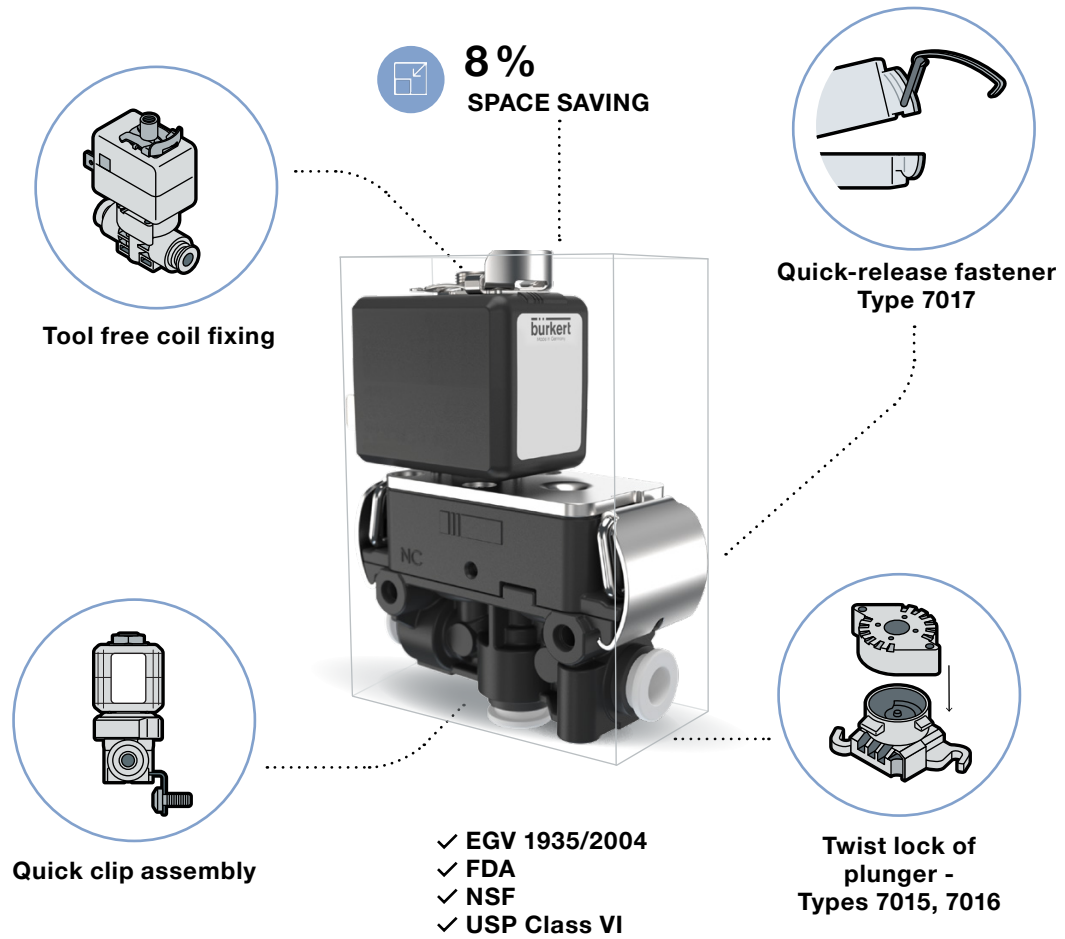
Tool-free coil mounting

For screwed solenoid valves, tools are required for servicing. The disadvantage - screws not only have to be tightened time-consumingly with a torque, they can also get lost in the machine. With our tool-free coil fastening, this cannot happen and you save time.



Water, gaseous and slightly aggressive media

Highly resistant elastomers made of FKM and EPDM stand for leakage safety, plastic parts made of PPS and stainless steels guarantee pressure - and corrosion safety for long-term operation.



Example calculation for a system made of 2 valves

	Conventional solenoid valves	Bürkert solution
	60 seconds Removing the coil (2x)	20 seconds Removing the coil (2x)
	300 seconds Removing the diaphragm	120 seconds Removing the diaphragm
	180 seconds Opening the fluidics to replace the plunger / the seal	30 seconds Opening the fluidics to replace the plunger / the seal
	370 seconds = ca. 6 minutes	of time saved during a service visit and maintenance of 2 valves.
	6 minutes x 2500 systems =	
	250 hours	Time saved by your service per year.

Technical Data

Type 7015

**2/2-way plunger valve
(in contact with media)**

Ambient temperature

+ 5 °C to + 65 °C

Operating voltage

24 V battery voltage \pm 3%

Input pressure

min. 0 ... max. 14 bar

Materials

Housing: PPS

Seals: FKM, EPDM

Medium temperature

Water (15 –98°C); up to 14 bar

Saturated steam (145°C);

up to 3 bar

Coffee (15 –98°C)

Type 7016

**3/2 way plunger valve
(in contact with media)**

Ambient temperature

+ 5 °C to + 65 °C

Operating voltage

24 V battery voltage \pm 3%

Input pressure

min. 0 ... max. 14 bar

Materials

Housing: PPS

Seals: FKM, EPDM

Medium temperature

Water (15 –98°C); up to 14 bar

Saturated steam (145°C);

up to 3 bar

Coffee (15 –98°C)

Type 7017

**3/2-way rocker valve
(media separated)**

Ambient temperature

+ 5 °C to + 65 °C

Operating voltage

24 V battery voltage \pm 3%

Input pressure

-0,5 ... max. 1,5 bar

Materials

Housing: PPS

Seals: FKM

Medium temperature

Cow's milk (1.5 –3.8%; 5 –80°C)

Soya and almond milk
(1.5% –3.8%; 5 –80°C)

Finished cocoa

(1.5 –3.8%; 5 –80°C)

Coffee (95 °C)

**For further information
please see our data sheets.**

Bürkert eShop



Visit the
Bürkert eShop!

Your benefits:

- 24/7 availability of the eShop
- Check your own prices and stock levels in real time
- View orders, delivery notes and invoices, track your order and create your own quotes
- Order certificates, fitting articles and spear & ware parts
- Create wish lists for your projects
- Copy technical attributes, download CAD drawings and product documentation

Discover these and many more advantages in our Bürkert eShop!



Bürkert Fluid Control Systems

Christian-Bürkert-Straße 13-17

74653 Ingelfingen

Germany

Tel.: +49 7940 100

info@buerkert.de

www.buerkert.de