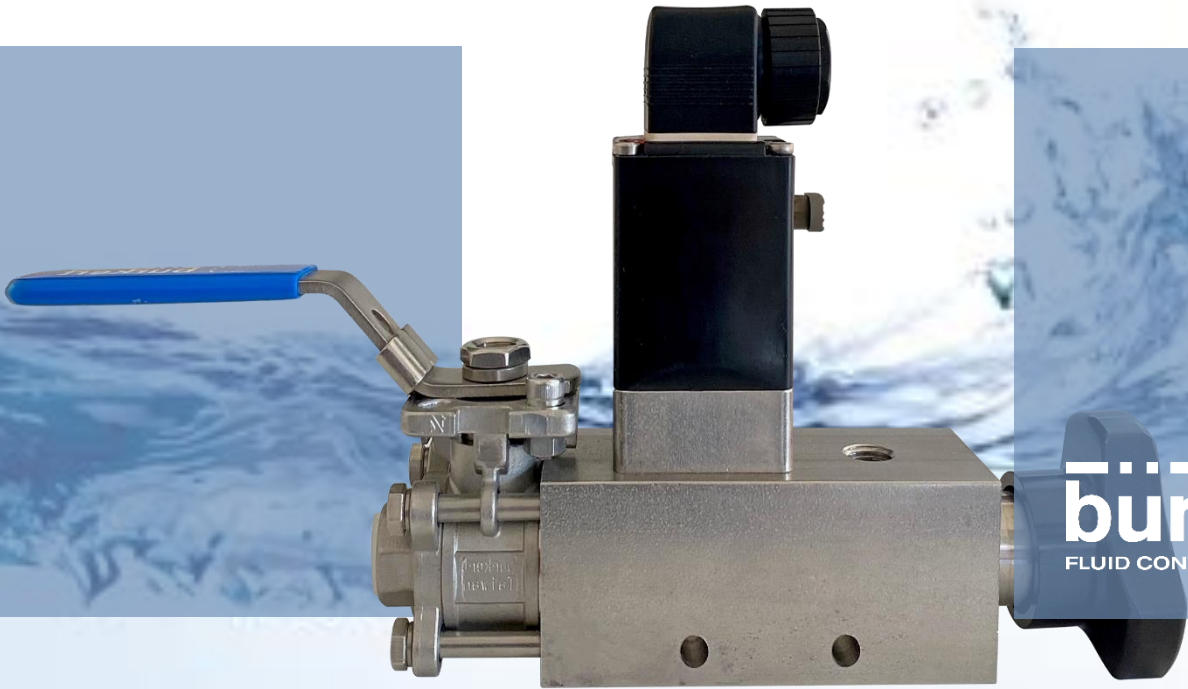
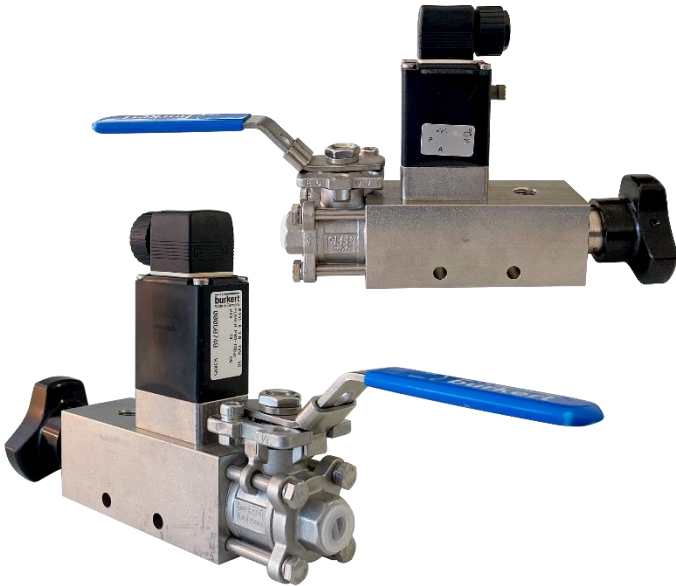


# Custom Pump Seal Flush Solenoid Block



**bürkert**  
FLUID CONTROL SYSTEMS

# Custom Pump Seal Flush Solenoid Block



This manifold is designed to prevent overuse of pump seal flush water when pump is not running.

- Solenoid is warranted for 20 million cycles
- Coil is isolated from water fluid path
- Water amount flowing to the seal is also adjustable through a needle valve on the discharge side of the manifold
- Solenoid has a manual override allowing for the solenoid to be actuated without the pump running
- Isolation off/on ball valve assembled into the manifold block
- Manifold can be made out of Stainless Steel (304 standard, 316 optional) other material available upon request
- Voltages 24 VDC, 120 VAC

## General Information

Item no.	98127668
Device key	8810-0331-01-FF-VA-NM82-NM82-024/DC-C* PD19
Item description	System- type 331 1st 304 manifold
Program	V
Net weight	3.1 KG



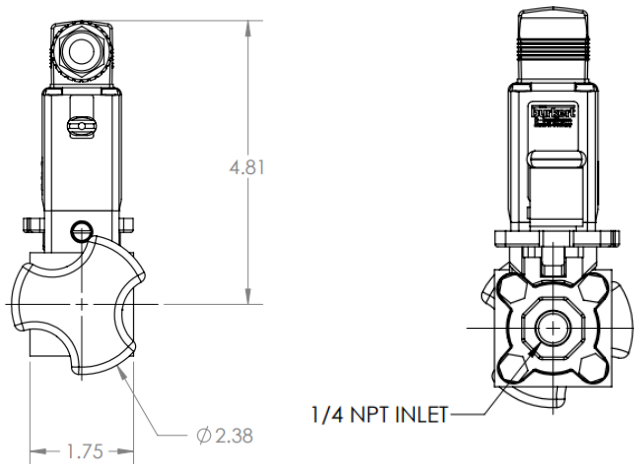
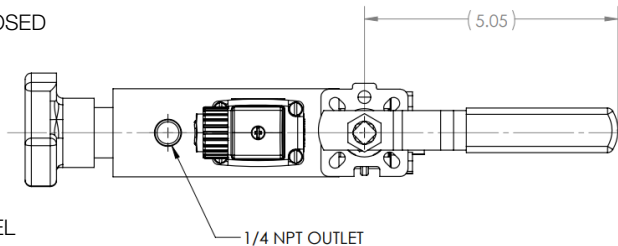
## Explanation of Device Key

Type (TYP_0009)	8810
Type 2 (TYP_0010)	0331
Number of valves (ANV)	01 - 01 valves
Seal material (DWST)	FF - FKM
Material (WKST)	VA - stainless steel
Port connection P/R (LTA1)	NM82 - NPT 1/4 threaded port
Port connection A/B (LTA2)	NM82 - NPT 1/4 threaded port
Voltage (SP)	024 - 24 volts
Frequency (FR)	DC - DC
Version of fluidic plate (FLVE)	C - special plate
Variable code 1 (VAR1)	PD19 - USA-version

## Dimensions & Specifications

- A. SOLENOID VALVE MODEL: TYPE 331, MANIFOLD MOUNTED
- B. SOLENOID PART NUMBER: 068748
- C. SOLENOID VALVE CIRCUIT: 2 WAY, 2 POSITION, NORMALLY CLOSED
- D. SOLENOID VALVE BODY MATERIAL: STAINLESS STEEL
- E. SOLENOID VALVE SEAL MATERIAL: FKM
- F. SOLENOID VALVE ORIFICE SIZE: 1/8 INCH
- G. SOLENOID VALVE VOLTAGE: 24 VDC
- H. MANIFOLD MATERIAL: STAINLESS STEEL
- I. BALL VALVE WETTED PARTS MATERIAL: STAINLESS STEEL
- J. BALL VALVE SEAL MATERIAL: PTFE
- K. CARTRIDGE VALVE WETTED PARTS MATERIAL: STAINLESS STEEL
- L. CARTRIDGE VALVE SEAL MATERIAL: PTFE

DIMENSIONS ARE IN INCHES



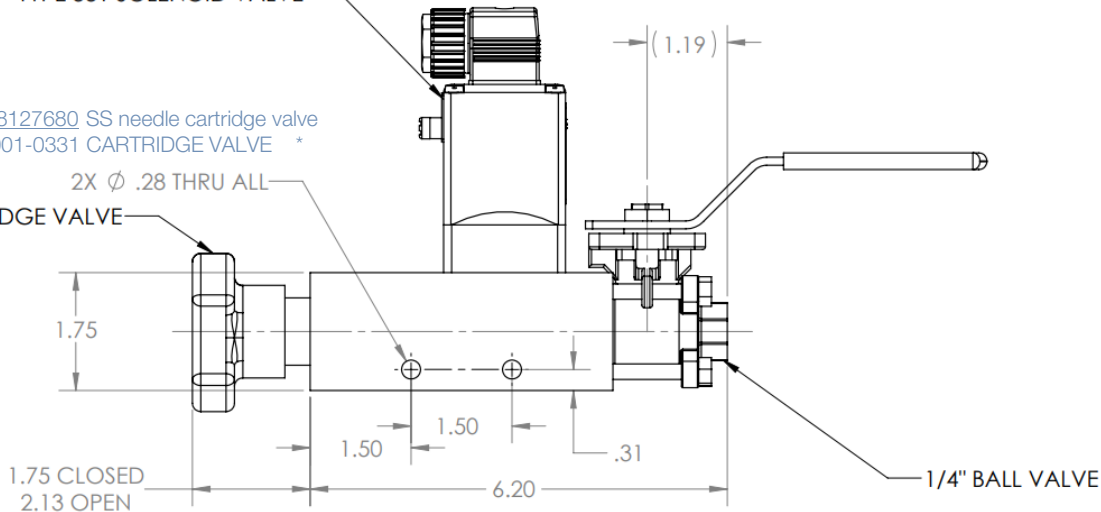
## Optional Replacement Parts

Item # [68748](#) Type 331 Solenoid Valve  
0331-A-03,0-FF-VA-FB02-024/DC-08 \*

TYPE 331 SOLENOID VALVE

Item # [98127680](#) SS needle cartridge valve  
KOMP-001-0331 CARTRIDGE VALVE \*

2X Ø .28 THRU ALL  
CARTRIDGE VALVE



Item # [98124779](#) Type 2654 Ball Valve, 3 PC, 1/4" NPT  
2654-2-00-11,0EE-VA-NM82-0000-34-09\*



**Burkert Fluid Control Systems**

Burkert USA Corporation  
11425 Mt. Holly-Huntersville Rd  
Huntersville, NC 28078

Phone: 1-800-325-1405  
Fax: 949-223-3198

[sales.us@burkert.com](mailto:sales.us@burkert.com)  
[www.burkert-usa.com](http://www.burkert-usa.com)

